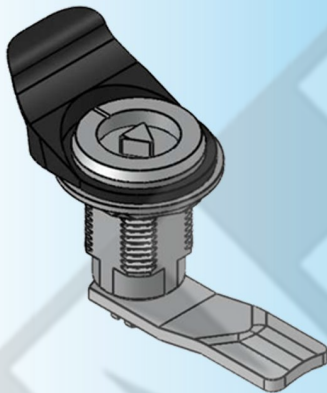


Photo View



K7030-07

3D Rendered View

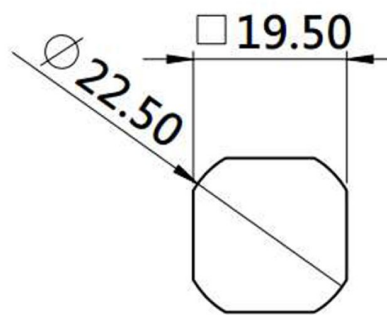
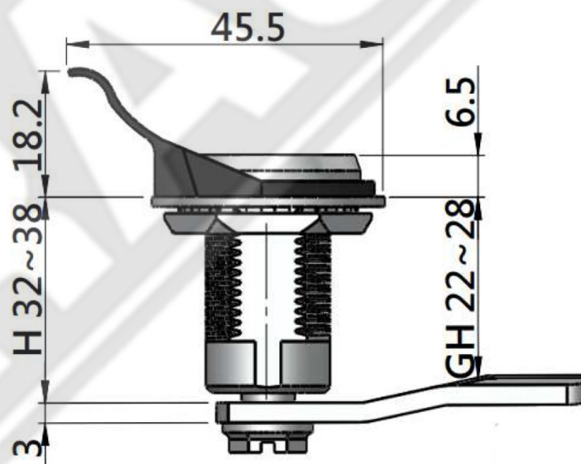
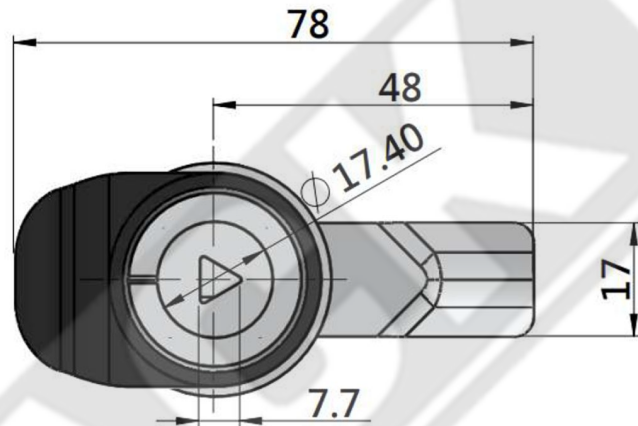


**MS 711-1-1L**

- Material: Zinc die-casting body and key, PA-6 pull-tab, Zinc plating cam, fixing parts;
- Finish: Bright chrome plating
- Panel thickness: 1.5~8mm
- Remark: compression latch 6mm pull-up

For Product Step File or 3D Model Send a Request Mail To [info@nrack.com](mailto:info@nrack.com)

## Compression Lock



**CUT OUT**